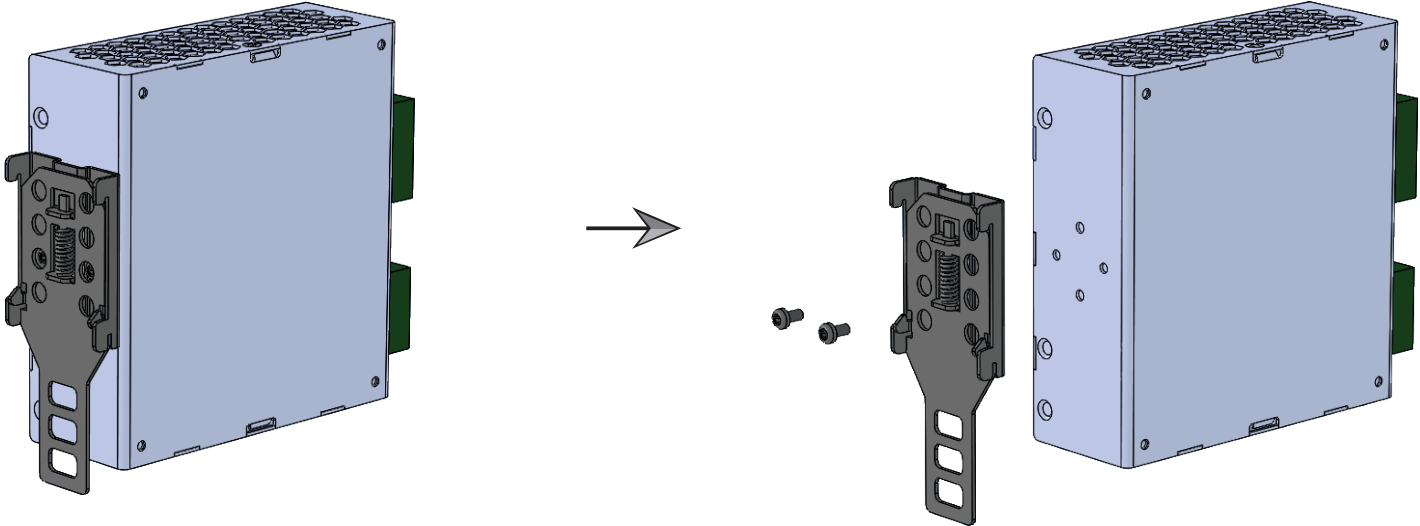


Remove the screws and the DIN-M hook



Install WMP2 (with the same screws)

